

Galvanised steel (W1).

Acc. to DIN 3016, type D1.

For fastening hoses, pipes, compressed air lines and cables.

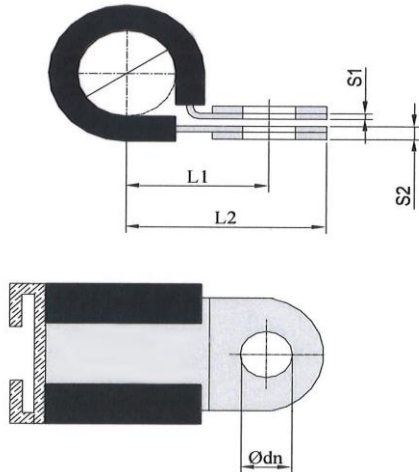
Rubber profile protects against vibrations and creeping water.

Material

Galvanised steel (W1)

Rubber profile

EPDM (-40 °C to 120 °C)



RSG-12

#### RSGU pipe retaining clips, galvanised steel

Art No.	Type No.	Clamping range mm	Band width mm	S1 (+0.2/-0.1) mm	S2 (+0.2/-0.1) mm	ødn mm	L1 mm	L2 mm
114302	RSG-6	6.0	12.0	0.5	1.5	5.3 (-0/+0.18)	11.0	17.0
114303	RSG-8	8.0	12.0	0.5	1.5	5.3 (-0/+0.18)	12.0	18.0
114304	RSG-10	10.0	12.0	0.5	1.5	5.3 (-0/+0.18)	13.0	19.0
114305	RSG-12	12.0	12.0	0.5	1.5	5.3 (-0/+0.18)	14.0	20.0
114306	RSG-14	14.0	12.0	0.5	1.5	5.3 (-0/+0.18)	15.0	21.0
114307	RSG-15	15.0	15.0	0.8	1.8	6.4 (-0/+0.22)	18.7	26.2
114308	RSG-18	18.0	15.0	0.8	1.8	6.4 (-0/+0.22)	20.2	27.7
114309	RSG-19	19.0	15.0	0.8	1.8	6.4 (-0/+0.22)	20.7	28.2
114310	RSG-20	20.0	15.0	0.8	1.8	6.4 (-0/+0.22)	21.2	28.7
114311	RSG-22	22.0	15.0	0.8	1.8	6.4 (-0/+0.22)	22.2	29.7
114312	RSG-25	25.0	15.0	0.8	1.8	6.4 (-0/+0.22)	23.7	31.2
114313	RSG-28	28.0	15.0	0.8	1.8	6.4 (-0/+0.22)	25.2	32.7
114314	RSG-30	30.0	15.0	0.8	1.8	6.4 (-0/+0.22)	26.2	33.7
114315	RSG-32	32.0	20.0	1.0	2.5	8.4 (-0/+0.22)	30.5	40.5
114316	RSG-34	34.0	20.0	1.0	2.5	8.4 (-0/+0.22)	31.5	41.5
114317	RSG-35	35.0	20.0	1.0	2.5	8.4 (-0/+0.22)	32.0	42.0
114318	RSG-38	38.0	20.0	1.0	2.5	8.4 (-0/+0.22)	33.5	43.5
114319	RSG-40	40.0	20.0	1.0	2.5	8.4 (-0/+0.22)	34.5	44.5